



Bell Hydromatics

Pressure Control Valves

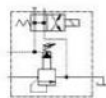
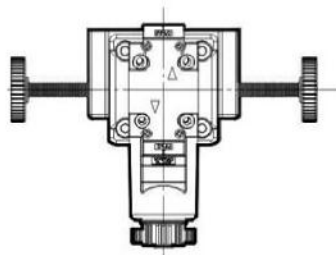
Solenoid Controlled Relief Valves



Features:

- These valves are combination of Pilot operated relief valve and Solenoid valve.
- Pump pressure can be loaded with electrical signal.

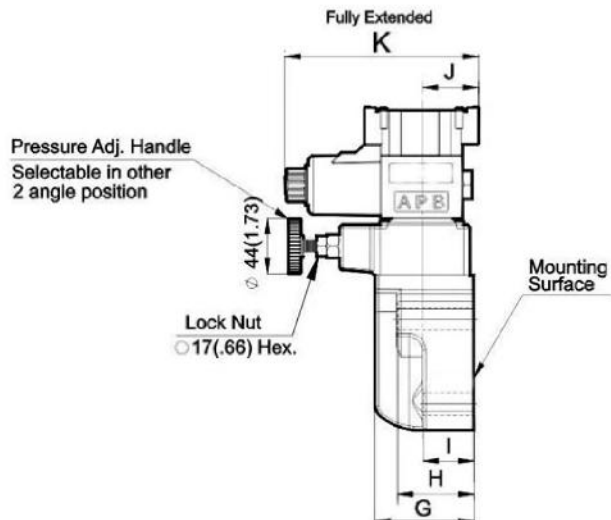
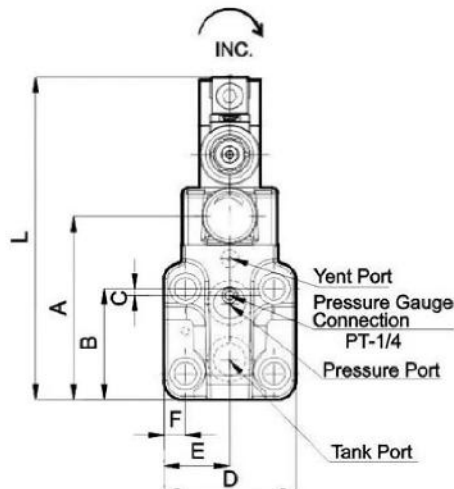
Solenoid Controlled Relief Valves(Sub-Plate Type)



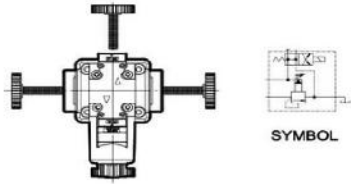
SYMBOL

Valve Specifications & Attachment

Model	BSG-03	BSG-06	BSG-10
Flow Rating	100 lpm (26.4 gpm)	200 lpm (52.8 gpm)	400 lpm (106 gpm)
Max. Pressure	250 bar (3600 psi)	250 bar (3600 psi)	250 bar (3600 psi)
Weight kg/(lbs.)	7.1 (15.6)	8.0 (17.6)	11.3 (24.9)
CODE:20	M12 X70LgX2pcs M12 X95LgX2pcs	M16 X60LgX2pcs M16 X80LgX2pcs	M20X70LgX2pcs M20X90LgX2pcs
CODE:2090	1/2-13UNCX2-3/4LgX2pcs 1/2-13UNCX3-3/4LgX2pcs	5/8-11UNCX2-1/4LgX2pcs 1/2-13UNCX3-1/4LgX2pcs	3/4-10UNCX2-3/4LgX2pcs 3/4-10UNCX3-1/2LgX2pcs
Surface O-Ring	P9X1pc, P20X2pc	P10AX1pc, P29X2pc	P10AX1pc, P36X2pc
ISO Mounting	6264-AR-06-2-A	6264-AS-08-2-A	6264-AT-10-2-A

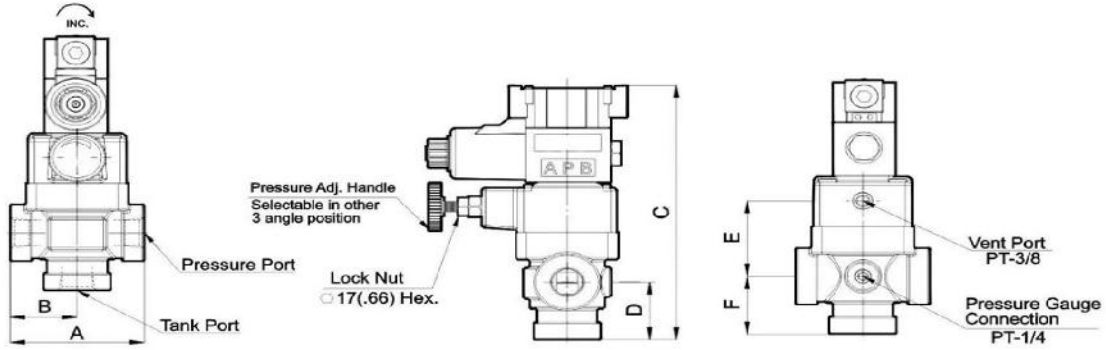


Solenoid Controlled Relief Valves(Threaded Type)

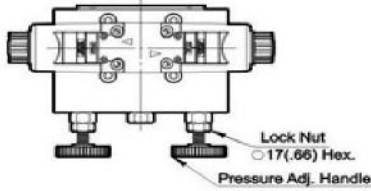


Valve Specifications & Attachment

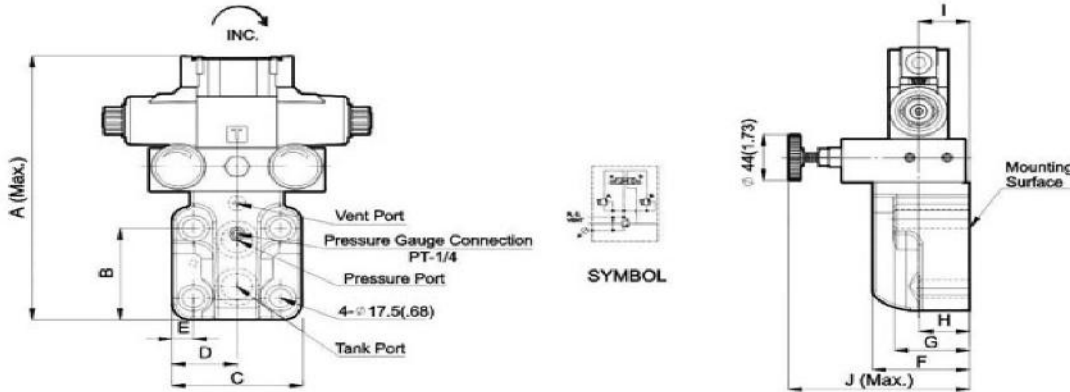
Model	BST-03	BST-06	BST-10
Flow Rating	100 lpm (26.4 gpm)	200 lpm (52.8 gpm)	400 lpm (106 gpm)
Max. Pressure	250 bar (3600 psi)	250 bar (3600 psi)	250 bar (3600 psi)
Weight kg(lbs.)	7.4 (16.3)	7.4 (16.3)	11.1 (24.5)
CODE:20	3/8 PT	3/4 PT	1 1/4 PT
CODE:2090	3/8 NPT	3/4 NPT	1 1/4 NPT



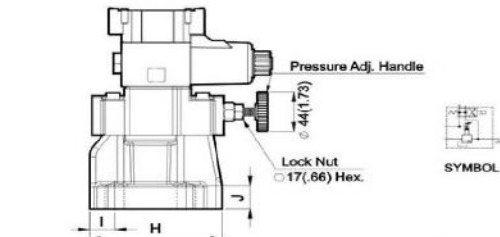
Solenoid Controlled Relief Valves-Dual Pressure(Sub-Plate Type)



Model	BSG-03	BSG-06	BSG-10
Flow Rating	100 lpm (26.4 gpm)	200 lpm (52.8 gpm)	400 lpm (106 gpm)
Max. Pressure	250 bar (3600 psi)	250 bar (3600 psi)	250 bar (3600 psi)
Weight kg(lbs.)	7.1 (15.6)	8.0 (17.6)	11.3 (24.9)
CODE:20	M12 X70LgX2pcs M12 X95LgX2pcs	M16 X60LgX2pcs M16 X80LgX2pcs	M20X70LgX2pcs M20X90LgX2pcs
CODE:2090	1/2-13UNCX2-3/4LgX2pcs 1/2-13UNCX3-3/4LgX2pcs	5/8-11UNCX2-1/4LgX2pcs 1/2-13UNCX3-1/4LgX2pcs	3/4-10UNCX2-3/4LgX2pcs 3/4-10UNCX3-1/2LgX2pcs
Surface O-Ring	P9X1pc, P20X2pc	P10AX1pc, P29X2pc	P10AX1pc, P36X2pc
ISO Mounting	6264-AR-06-2-A	6264-AS-08-2-A	6264-AT-10-2-A



Low Noise Type Solenoid Controlled Relief Valves(Sub-Plate Type)



Valve Specifications & Attachment

Model	BSG-03	BSG-06	BSG-10
Flow Rating	100 lpm (26.4 gpm)	200 lpm (52.8 gpm)	400 lpm (106 gpm)
Max. Pressure	250 bar (3600 psi)	250 bar (3600 psi)	250 bar (3600 psi)
Weight kg(lbs.)	6.3 (13.9)	7.2 (15.9)	12.7 (28.0)
CODE:20	M12 X45LgX1pc	M16 X55LgX1pc	M20 X65LgX1pc
CODE:2090	1/2-13UNCX1/2LgX1pc	5/8-11UNCX2LgX1pc	3/4-10UNCX3-1/4LgX1pc
Surface O-Ring	P9X1pc, P20X2pc	P10AX1pc, P28X2pc	P10AX1pc, P36X2pc
ISO Mounting	6264-AR-06-2-A	6264-AS-08-2-A	6264-AT-10-2-A

